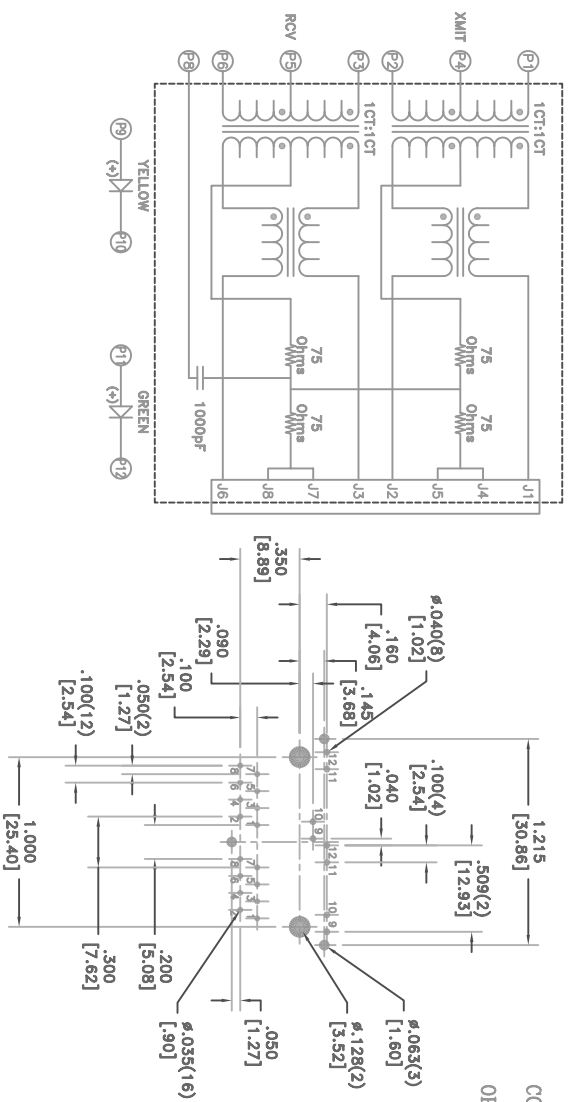
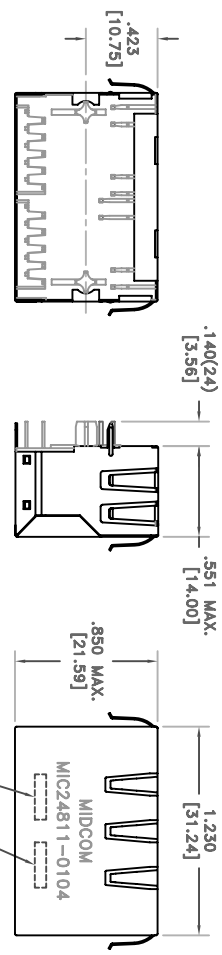
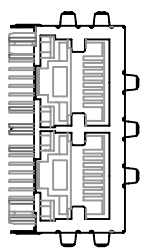


SOLDER SUFFIX	CUSTOMER TERMINAL	ROHS	LEAD(Pb)-FREE
LF3	Sn100%	Yes	Yes



P.C. PATTERN, COMPONENT SIDE

ELECTRICAL SPECIFICATIONS @ 25°C unless otherwise noted:

- INDUCTANCE: 350µH min., 100kHz, 100mV, 8mADC, J1-J2; J3-J6, Lp.
- DIELECTRIC RATING: 1500Vrms for 1 minute between P1-J1(ite P1+P3).
- TURNS RATIO/POLARITY: (P1-P2):(J1-J2) = 1:1, ±2%. (P3-P6):(J3-J6) = 1:1, ±2%.
- INSERTION LOSS: -1.0dB max, 1MHz - 100MHz.
- RETURN LOSS: -18dB min, 1M - 30MHz. -16dB min, 30M - 45MHz. -14dB min, 45M - 60MHz. -12dB min, 60M - 80MHz.
- CROSSTALK: -35dB min, 1MHz - 100MHz.
- COMMON MODE REJECTION: -35dB min, 1MHz - 100MHz.
- OPERATING TEMPERATURE RANGE: 0°C to +70°C.

Midcom, Inc.
 Watertown, SD USA
 Toll Free: 800-643-2661
 Fax: 605-886-4486

TRANSFORMER
 749 902 112 1



MIC24811-0104W-LF3
 SCALE ---
 SHEET 2 OF 6

